

CS-PT300 pressure transmitter



Applications:

- ☆ Accuracy ± 0.10 、 ± 25 、 $\pm 0.5\%F.S$
- ☆ Programme calibrate measurement range
- ☆ Diffuse silicon core
- ☆ Multiple measurement range and Signal output
- ☆ Various connectors and Pressure junctions
- ☆ No-polarity two-wire current output
- ☆ Vdc/ac voltage output
- ☆ Intrinsic safety certification, Explosion proof certification、CE certification
- ☆ Conform with RoHS standard
- ☆ food industry
- ☆ drinkingwater treatment
- ☆ medical health
- ☆ thick liquid
- ☆ pressure instrument
- ☆ automatic detect system
- ☆ energy & water tratement
- ☆ oilwell real-time management

CHINA STAR M&C Ltd
www.websensor.com

CS-PT300 pressure transmitter

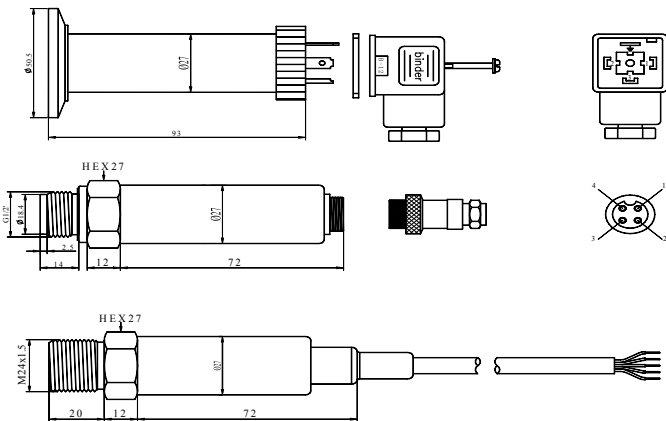
Description

CS-PT300F series pressure transmitter is a mass production, cost effective and high quality product applied to both civil and industrial. Widely used in gas, liquid pressure measurement, such as water, oil, mild corrosive liquid and gas.

This product adopt 1Cr18ni9Ti stainless structure, pressure core body select international top brand, the special V / I converter can easily calibrate zero and full scale output. This product has already got explosion proof certification and CE certification.

The lead of two-wire circum fluent is no-polarity, but the three-wire voltage output is Vdc / ac.

There are more than 10 models available with standard structure and output, furthermore, our design team are ready to offer custom service of special requirements to satisfy mass applications.



电器连接方式				
插头	二线制	电缆	三线制	电缆
1	电源	红线	电源	红线
2	输出	蓝/绿线	电源地	黑线
3			输出	蓝/绿线
4(E)	屏蔽	黄线	屏蔽	黄线

压力接口连接形式				
1	2	3	4	5
G 1/2'	G 3/4'	M 24×1.5	M 27×1.5	卡箍 1'

信号输出形式	
两线制	4~20mA
三线制	4~20mA、0~10mA、0~20mA 0~5V、0.5~4.5V、1~5V、0~10V (dc)
四线制	4~20mA、0~10mA、0~20mA 0~5V、0.5~4.5V、1~5V、0~10V (dc)

Technical data

Name	Data	Remark
Measurement range	-100mbar...1000bar	
Overload pressure	2 times rated pressure	
Failure pressure	4 times rated pressure	
Accuracy	±0.10%F.S, ±0.25%F.S, ±0.5%F.S	
stability	Typical value: 0.25%F.S, Maximum value: 0.4%F.S	
Operation temperature	-40℃~85℃	
Offset temperature	-10℃~70℃	

CS-PT300 pressure transmitter



Medium compatibility	All corrosive medium compatible with 1Cr18Ni9Ti			
Electrics feature	Two-wire type	Three-wire type	Four-wire type	
Signal output	4~20mA	0~20mA	0~20mA	Also 0~10mA
		1~5Vdc	0~10Vdc	Also 0.5~4.5Vdc
Power supply	10~30Vdc	12~30Vdc	12~30Vdc	Vdc/ac means both use dc and ac
Load resistance	(U-10)/0.02(Ω)	Current: (U-12)/0.02(Ω); voltage: >100K Ω		
Insulate	>100M Ω @50V			
Electrical connection	Connector: DIN4365, shell protection: IP65			Also called Hirschmann plug
	Aviation plug: GX16-7, shell protection: IP45			Also called quick connect plug
	Waterproof outgoing line(five rank waterproof sealed), Shell protection: IP68			
Pressure connection	M20×1.5, M27×1.5, G1/2, G3/4, NPT1/2			
Response time	10ms			
Pressure type	Gauge pressure: G; Sealed gauge pressure: S; Absolute pressure:A,			
Certification	Intrinsic safety E, Explosion proof D, CE certification			
Electromagnetic compatibility	Electromagnetic radiation: EN50081-1/-2; Electromagnetic sensitivity: EN50082-2			